

C5/C6 - SERIES SPECIFICATIONS AND ORDERING INFORMATION

0.92" DIAMETER 1.0 AMP @ 28 VDC

The C5 Series offers a very economical and lightweight design. Standard features include 30° indexing up to 12 positions, solder lug terminals, fixed stops, and both internal and external seals for washability. The C6 Series offers the same features in an unsealed design.



SPECIFICATIONS

ELECTRICAL

Current and Voltage Rating: Make and break resistive load
1 amp @ 28 VDC; 1 amp @ 125 VAC.
Current Carrying Capacity: 5 amps.
Dielectric Strength: 1,000 VAC between current carrying parts and ground.
Contact Resistance: Average initial 20 milliohms.
Insulation Resistance: In excess of 10,000 megohms.

Hardware: Mounting nut and lockwasher are shipped assembled.

MECHANICAL

Materials and Finishes: All parts utilize non-corrosive materials as standard.
Terminals and Contacts: Brass with silver plate as standard.
Insulation: Polyester.
Index: Molded live spring detent.
Index Life: 25,000 cycles minimum.
Index Torque: Switches have lowest practical torque consistent with crisp detenting and smooth, reliable operation.
Index Angles: Positive 30° standard.
Index Stops: Fixed standard, adjustable, or continuous available.
Stop Strength: 4.5 in. lbs. minimum.

STANDARD PART NUMBER

C5 - SOLDER LUG TERMINALS

SWITCHES - 30° INDEX - ADJUSTABLE STOPS - SET @ 2 POS. - SEALED

POLES	ACTIVE POSITIONS	POLES/SECTION	NO. OF SECTIONS	NON-SHORTING	FIG. *
01	02-12	1	1	C5P0112N - A	CE
02	02-06	2	1	C5P0206N - A	CJ
03	02-04	3	1	C5P0304N - A	CL
04	02-03	4	1	C5P0403N - A	CM

C5 - P.C. TERMINALS

SWITCHES - 30° INDEX - ADJUSTABLE STOPS - SET @ 2 POS. - SEALED

POLES	ACTIVE POSITIONS	POLES/SECTION	NO. OF SECTIONS	NON-SHORTING	FIG. *
01	02-12	1	1	C5P0112N - RA	CE
02	02-06	2	1	C5P0206N - RA	CJ
03	02-04	3	1	C5P0304N - RA	CL
04	02-03	4	1	C5P0403N - RA	CM

C6 - UNSEALED

POLES	ACTIVE POSITIONS	POLES/SECTION	NO. OF SECTIONS	NON-SHORTING	FIG. *
01	02-12	1	1	C6P0112N - A	CE
02	02-06	2	1	C6P0206N - A	CJ
03	02-04	3	1	C6P0304N - A	CL
04	02-03	4	1	C6P0403N - A	CM

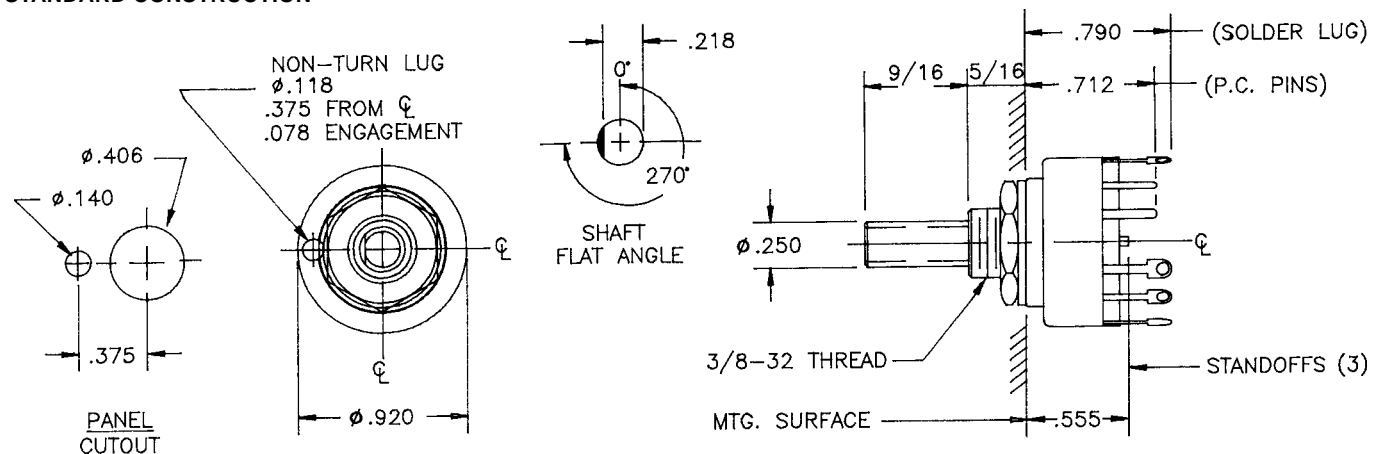
C6 - UNSEALED

POLES	ACTIVE POSITIONS	POLES/SECTION	NO. OF SECTIONS	NON-SHORTING	FIG. *
01	02-12	1	1	C6P0112N - RA	CE
02	02-06	2	1	C6P0206N - RA	CJ
03	02-04	3	1	C6P0304N - RA	CL
04	02-03	4	1	C6P0403N - RA	CM

* FIGURES ARE SHOWN ON PAGE 55.

DIMENSIONS

STANDARD CONSTRUCTION



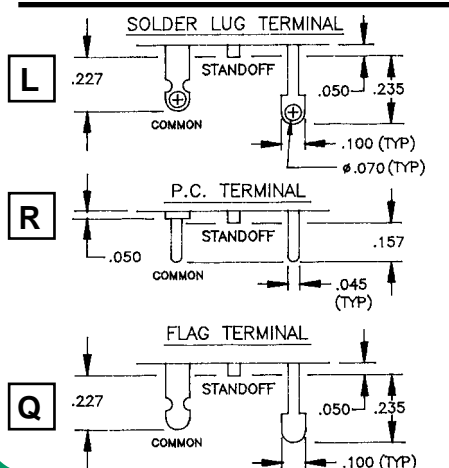
How to Order Additional Options:

2 DIGIT SERIES	INSULATION TYPE	TOTAL POLES	ACTIVE POSITIONS	CONTACT TYPE	TERMINAL TYPE	INDEX ANGLE	STOP TYPE	SHAFT/ BUSHING	SHAFT FLAT
C5	P - POLYESTER SEALED	01	12 - MAX	N - NON - SHORTING	L - SOLDER LUG R - REAR P.C. Q - FLAG		F - FIXED A - ADJ. C - CONT.	SEE CHART "A"	SEE CHART "B"
		02	06 - MAX						
		03	04 - MAX						
		04	03 - MAX						
C6	P - POLYESTER UNSEALED	01	12 - MAX	N - NON - SHORTING					
		02	06 - MAX						
		03	04 - MAX						
		04	03 - MAX						

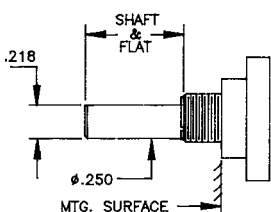
CUSTOMERS SPECIFIED ORDER NUMBER FOR STANDARD OPTIONS				ADDITIONAL OPTIONS		
<input type="text"/>	<input type="text"/>	<input type="text"/>	<input type="text"/>	<input type="checkbox"/>	<input type="checkbox"/>	<input type="checkbox"/>
	P	(SPECIFY)	(SPECIFY)	N	(SPECIFY)	(SPECIFY)

C

TERMINAL TYPES

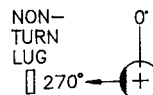


SHAFT AND FLAT OPTIONS



P/N OPT.	SHAFT & FLAT LGTH.
01	1/4
02	5/16
03	3/8
04	7/16
05	1/2
06	9/16
07	5/8
08	11/16
09	3/4
10	13/16
11	7/8
12	15/16
13	1

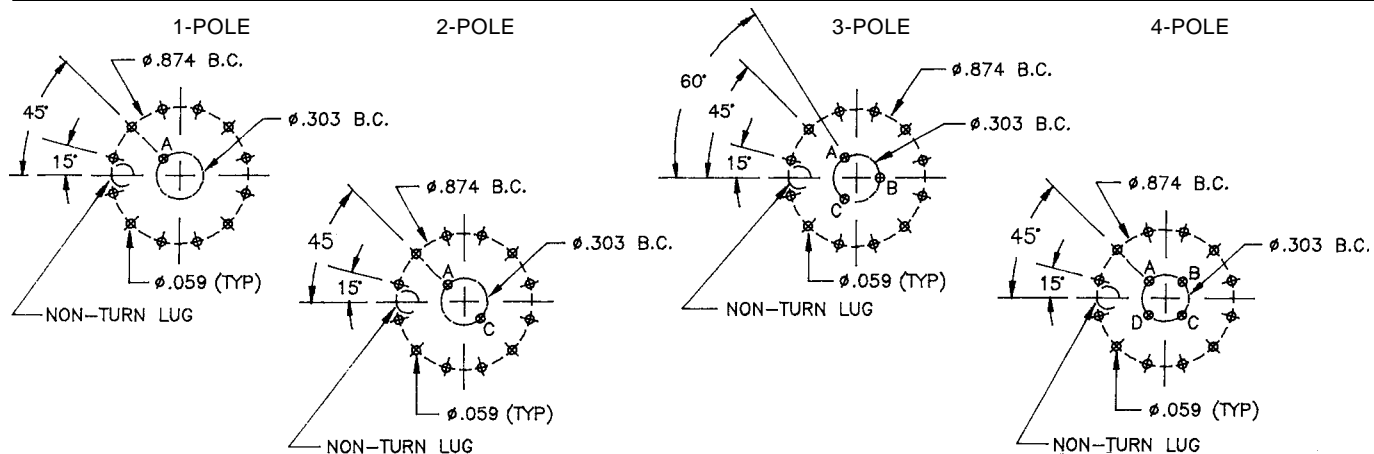
P/N OPT.	FLAT ANGLE
B	ROUND
Y	270° - STD.



Y

- STD. SHAFT AS VIEWED WITH NON-TURN LUG AT 9 O'CLOCK AND SHAFT IN EXTREME CCW POSITION.

PRINTED CIRCUIT BOARD TERMINAL PATTERNS



CUSTOM SWITCHES ARE AVAILABLE. CONTACT THE FACTORY WITH YOUR COMPLETE SPECIFICATIONS.